

Control knobs

for position indicators

SPECIFICATION

Types

- Type **A**: Shaft- $\varnothing d_2 < \text{Bore-}\varnothing d_3$
- Type **B**: Shaft- $\varnothing d_2 = \text{Bore-}\varnothing d_3$

Aluminium
anodized, black

Stainless Steel-Socket set screw DIN 916
with internal hexagon and serrated point

Hub cover cap
Plastic, light grey

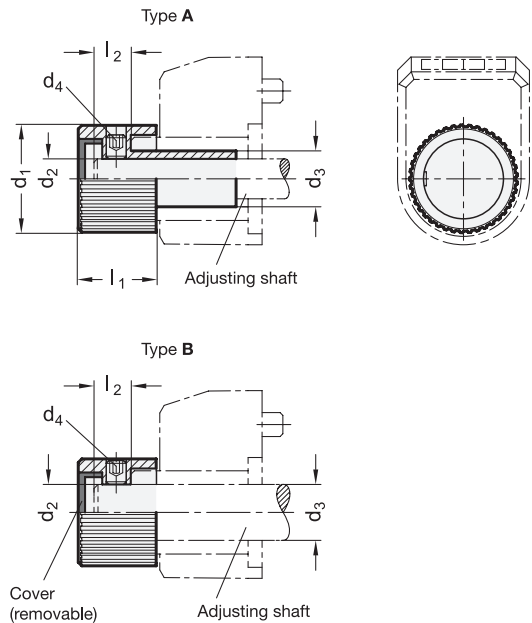
INFORMATION

Control knobs GN 957 are used in connection with position indicators. These control knobs offer a simple solution when the assembly requires manual fine adjustment for the application for which it has been designed.

The design of this knob adapts it to the diameter of the adjustment shaft, so that no adapter bushes RB51 are needed.

TECHNICAL INFORMATION

- ISO-Fundamental Tolerances (see page)



GN 957

Description	d1	d2 H9	d3	d4	l1	l2 min.	l2 max.	For position indicator	Δ
GN 957-22-B6-A	22	B 6	10	M 4	15.5	4.5	9.6	DD50	10
GN 957-22-B8-A	22	B 8	10	M 4	15.5	4.5	9.6	DD50	20
GN 957-27-B6-A	27	B 6	14	M 5	19.5	6	11.3	DD51	24
GN 957-27-B8-A	27	B 8	14	M 5	19.5	6	11.3	DD51	22
GN 957-27-B10-A	27	B 10	14	M 5	19.5	6	11.3	DD51	20
GN 957-27-B12-A	27	B 12	14	M 5	19.5	6	11.3	DD51	176
GN 957-42-B10-A	42	B 10	20	M 6	24	6.5	15	DD52R	72
GN 957-42-B12-A	42	B 12	20	M 6	24	6.5	15	DD52R	69
GN 957-42-B14-A	42	B 14	20	M 6	24	6.5	15	DD52R	63
GN 957-42-B15-A	42	B 15	20	M 6	24	6.5	15	DD52R	60
GN 957-42-B16-A	42	B 16	20	M 6	24	6.5	15	DD52R	58
GN 957-22-B10-B	22	B 10	10	M 4	15.5	4.5	9.6	DD50	57
GN 957-27-B14-B	27	B 14	14	M 5	19.5	6	11.3	DD51	14
GN 957-42-B20-B	42	B 20	20	M 6	24	6.5	15	DD52R	50